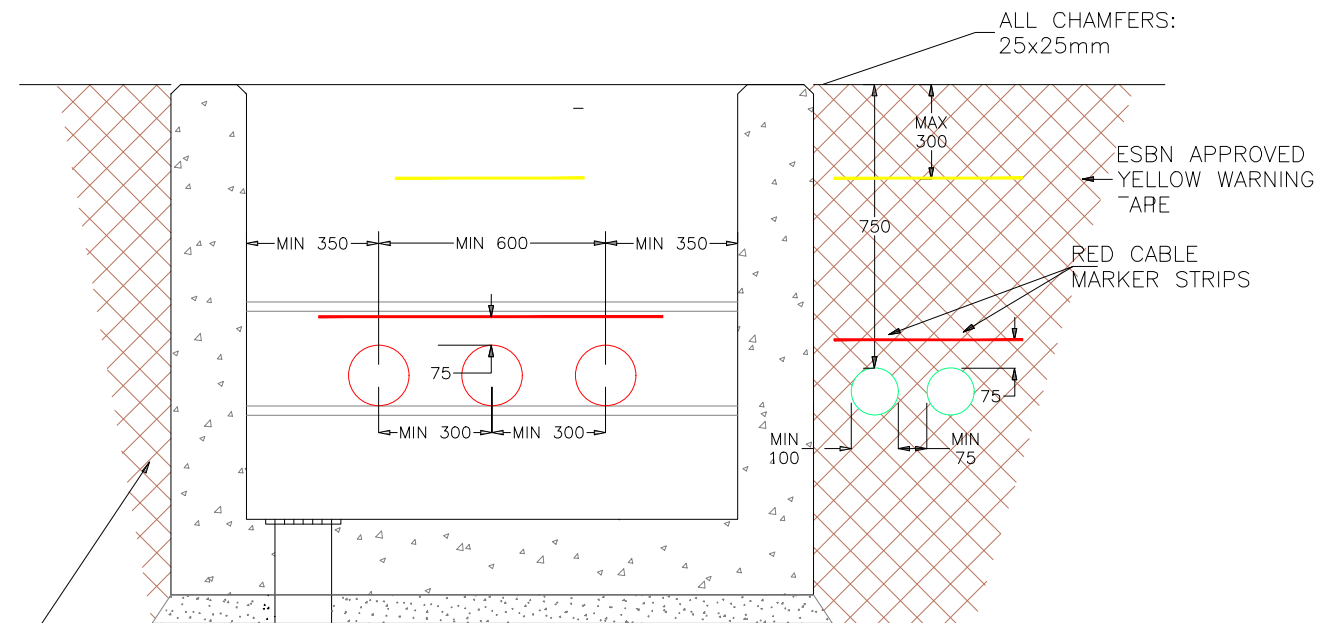
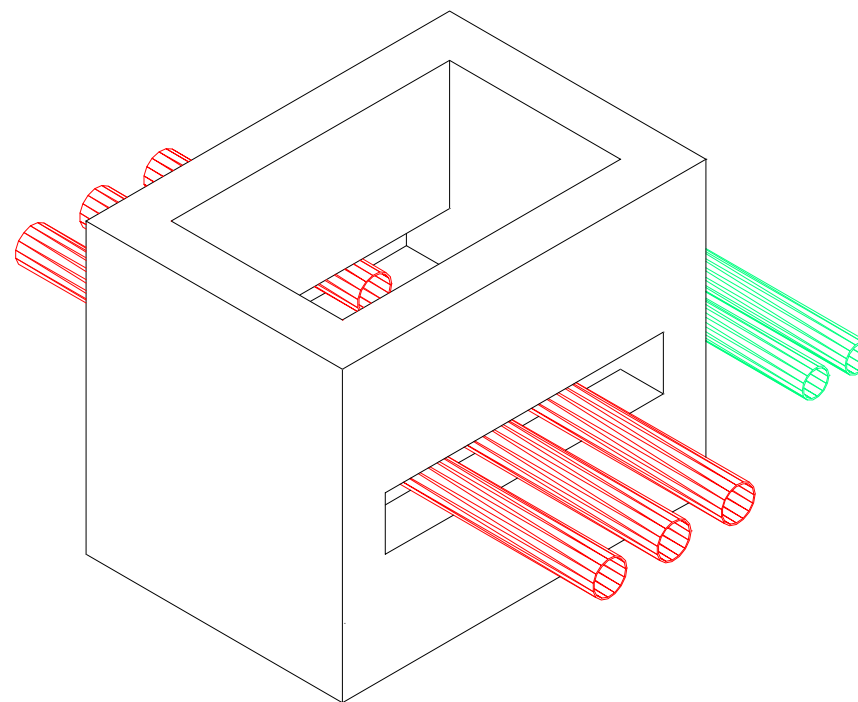


PLAN - TRANSITION CHAMBER  
SCALE 1:20 (DUCT SETTING OUT)



GRANULAR BACKFILL TO CL. 610  
CLASSES 6N OR 6P COMPACTED IN  
ACCORDANCE WITH CL. 612 AND TABLE  
6/1 OF T.I.I. SPECIFICATION.

SECTION A  
SCALE 1:20



ISOMETRIC VIEW PRECAST CHAMBER  
SCALE 1:20

- NOTES:
- 1 FIGURED DIMENSIONS ONLY TO BE TAKEN FROM THIS DRAWING.
  - 2 ALL DRAWINGS TO BE CHECKED BY THE CONTRACTOR ON SITE.
  - 3 ENGINEER TO BE INFORMED OF ANY DISCREPANCIES BEFORE ANY WORK COMMENCES.
  - 4 THIS DRAWING TO BE READ IN CONJUNCTION WITH ALL OTHER RELEVANT DRAWINGS AND SPECIFICATIONS.

Talite Éireann  
© Talite Éireann - Surveying  
Includes National Mapping Reproduced  
Under Copyright to Talite Éireann.  
Licence Number CYAL 50512615

rev.	modifications	by	chk	date

Client	Carragin Power LTD.			
Project	Carrigeen Renewable Energy Development, Co. Roscommon.			
Stage	Planning			
Title	Transition Chamber Details			
Scales	1:20 (A3)			
Surveyed	Prepared	Checked	Approved	Date
.	A.G	J.D	C.G	Mar 2026

**JENNINGS O'DONOVAN**  
an RSK company

© COPYRIGHT OF  
JENNINGS O'DONOVAN AND PARTNERS LIMITED  
FINISKLIN Tel (+353) 719 161 416  
SLIGO Email. info@jodireland.com  
IRELAND www.jodireland.com